

KENWOOD

KDC-9023R

CD-RECEIVER

INSTRUCTION MANUAL

KENWOOD CORPORATION



©B64-2462-00/02 (MV)

Menu system

Text Scroll

Setting the displayed text scroll.

Display	Setting
"Scroll:Manual"	Doesn't scroll.
"Scroll:Auto"	Scrolls when the display changes.



The text scrolled is shown below.

- CD text
- Folder name/ File name/ Song title/ Artist name/ Album name
- MD title
- Radio text
- Text for GSM hands free source (message, etc.)

Built-in Auxiliary input Setting

Set the Built-in Auxiliary Input function.

Display	Setting
"Builtin AUX:OFF"	When selecting the source there's no Auxiliary Input.
"Builtin AUX:ON"	When selecting the source there's Auxiliary Input.

CD Read Setting

<In Standby mode>

When there is a problem on playing a CD with special format, this setting play the CD by force.

Display	Setting
"CD READ:1"	Play CD and MP3/WMA.
"CD READ:2"	Play CD by force.



Setting "CD READ:2" cannot play MP3/WMA.

Some music CDs may not be played back even in the "CD READ:2" mode.

Picture downloading

<In Standby mode>

Downloading movies and wallpapers. Downloaded pictures can be used for the display of this unit.

1 Inset a CD-R/CD-RW.

Insert a CD-R/CD-RW containing files to be downloaded into this unit.

Refer to <Playing CD & MP3/WMA> (page 29) for details.

Our URL <<http://www.kenwood.net-disp.com>> describes how to make CD-R/CD-RW.



Picture downloading is not possible when <CD Read Setting> (page 44) is set to "CD READ:2".

Change the setting to "CD READ:1".

2 Enter Standby

Press the [SRC] button.

Select the "ALL OFF" display.

3 Enter Menu mode

Press the [MENU] button for at least 1 second.

"MENU" is displayed.

4 Select the downloading mode

Press the [FM] or [AM] button.

Select the "Disp Data DL" display.

5 Enter the downloading mode

Press the [◀◀] or [▶▶] button.

"File Check!!" is displayed.

6 Select files to be downloaded


Press the [FM] or [AM] button.

7 Start downloading

Press the [◀◀] or [▶▶] button for at least 2 seconds.

"Downloading" is displayed.

When the downloading finishes, "Finished Download" is displayed.

 Picture download may take as long as 10 minutes.




Canceling Downloading

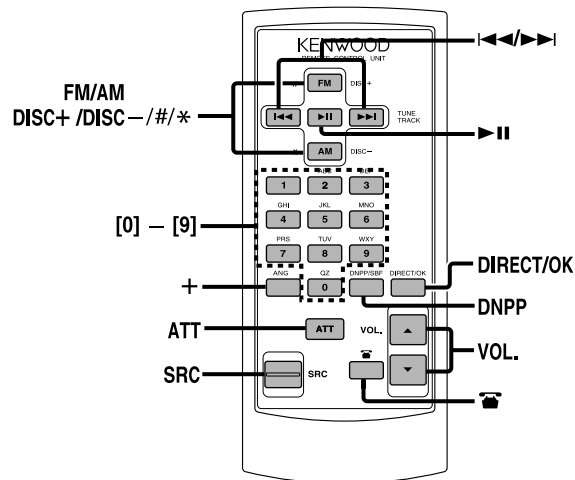
Press the [MENU] button.

8 Exit the downloading mode

Press the [MENU] button.

-  Do not operate this unit, while "Data Writing" is displayed, to prevent data from being damaged.
- The number of files that can be downloaded.
 - Downloaded movie: 1 file
 - Wallpaper: 1 file
- When a new movie is downloaded, it is overwritten to the currently downloaded movie. Also, when a new wallpaper is downloaded, it is overwritten to the currently downloaded wallpaper. There is no way to delete the downloaded pictures.
- The downloaded pictures can be used for display.
 - <Right Side Graphic Display Switching> (page 14)
 - <Wallpaper selecting> (page 15)
- When you can't download the pictures to this unit, there may be a problem with the CD-R/CD-RW write method. Refer to the URL <<http://www.kenwood.net-disp.com>>, and rewrite the CD-R/CD-RW.

Basic Operations of remote



<p>Mecha Error: Something is wrong with the disc magazine. Or the unit is malfunctioning for some reason. ⇨ Check the disc magazine. And then press the reset button on the unit. If the "Mecha Error" code does not disappear, consult your nearest service center.</p> <p>Hold Error: The protective circuit in the unit activates when the temperature inside the automatic disc changer exceeds 60°C (140°F), stopping all operation. ⇨ Cool down the unit by opening the windows or turning on the air conditioner. As the temperature falls below 60°C (140°F), the disc will start playing again.</p> <p>NO NAME: Attempted to display DNPS during the CD play having no disc names preset.</p> <p>Waiting: Radio text data is being received.</p> <p>Load: Discs are being exchanged in the Disc changer.</p> <p>Reading: The unit is reading the data on the disc.</p> <p>NO ACCESS: After setting it in the Disc Changer, DNPP was done without having it been played at least 1 time.</p> <p>IN (Blink): The CD player section is not operating properly. ⇨ Reinsert the CD. If the CD cannot be ejected or the display continues to flash even when the CD has been properly reinserted, please switch off the power and consult your nearest service center.</p> <p>Unsupported File: A MP3/WMA is played with a format that this unit can't support. ⇨ —</p> <p>Protected File: A copy-protected file is played. ⇨ —</p> <p>Can't Download/ Download Error: This unit does not work properly for some reason. ⇨ Press the reset button to download it again. If this error is still displayed, consult a local Kenwood dealer.</p>	<p>No Display File: No file that can be downloaded is contained in the CD-ROM. ⇨ Make sure that a files created with referring to <http://www.kenwood.net-disp.com> is contained in the CD-ROM. Do not delete the extension (.kbn/.KBN) created when the file was created. Picture downloading was performed with the <CD Read Setting> (page 44) set to "CD READ:2". ⇨ Change the setting to "CD READ:1".</p> <p>Incorrect File: The file selected to be downloaded has a format that this unit cannot read. ⇨ Recreate the file.</p> <p>Writing Error: Writing failed while the file was downloaded. ⇨ Try the downloading again.</p>
--	--